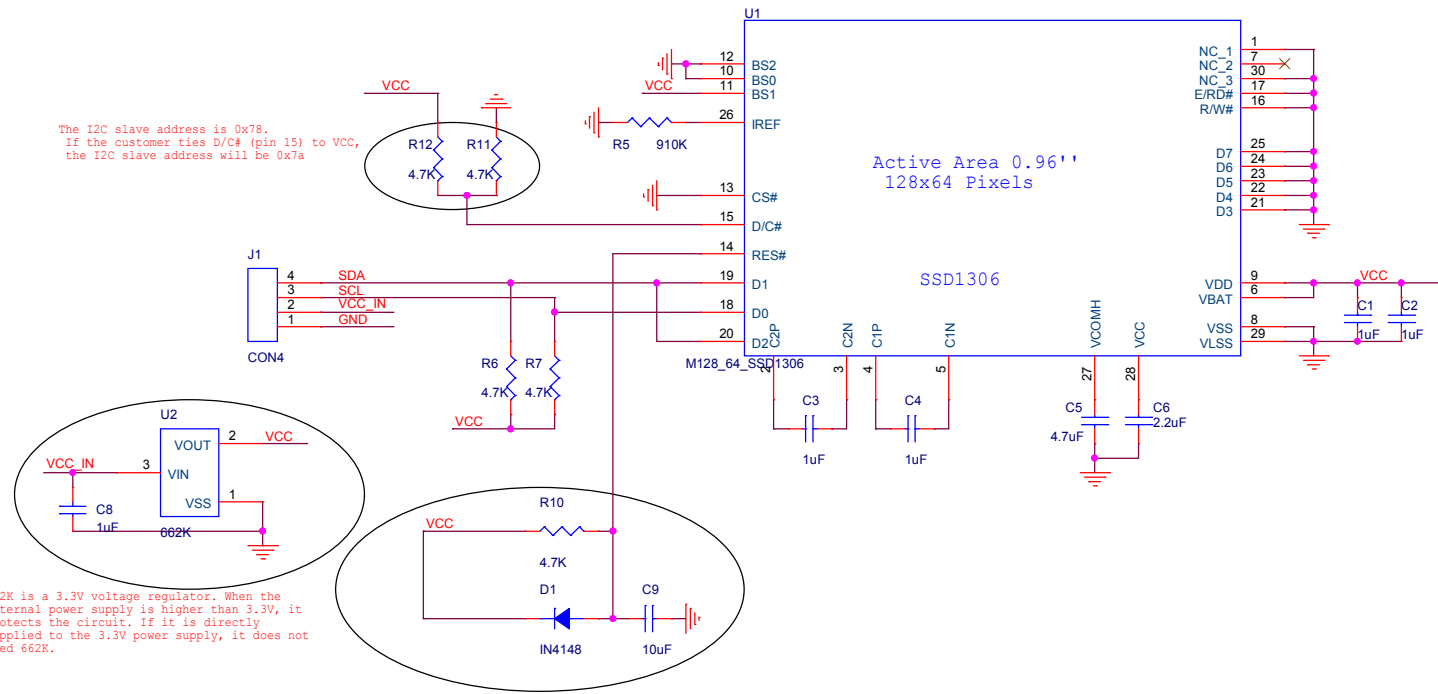


Specification Sheet

Model No. : ZJY028

Description : 0.96inch OLED Screen resolution 128*64
Size:27.3*27.8mm Driver Chip SSD1306 interface IIC 4Pin
Voltage 3.3-5V Font Color Option White/Blue /Yellow blue
ZJY028

0.96" OLED Module Schematic



The I2C slave address is 0x78.
If the customer ties D/C# (pin 15) to VCC,
the I2C slave address will be 0x7a

662K is a 3.3V voltage regulator. When the
external power supply is higher than 3.3V, it
protects the circuit. If it is directly
supplied to the 3.3V power supply, it does not
need 662K.

Hardware reset circuit, SSD1306 needs to be reset at power-on, in order to work normally